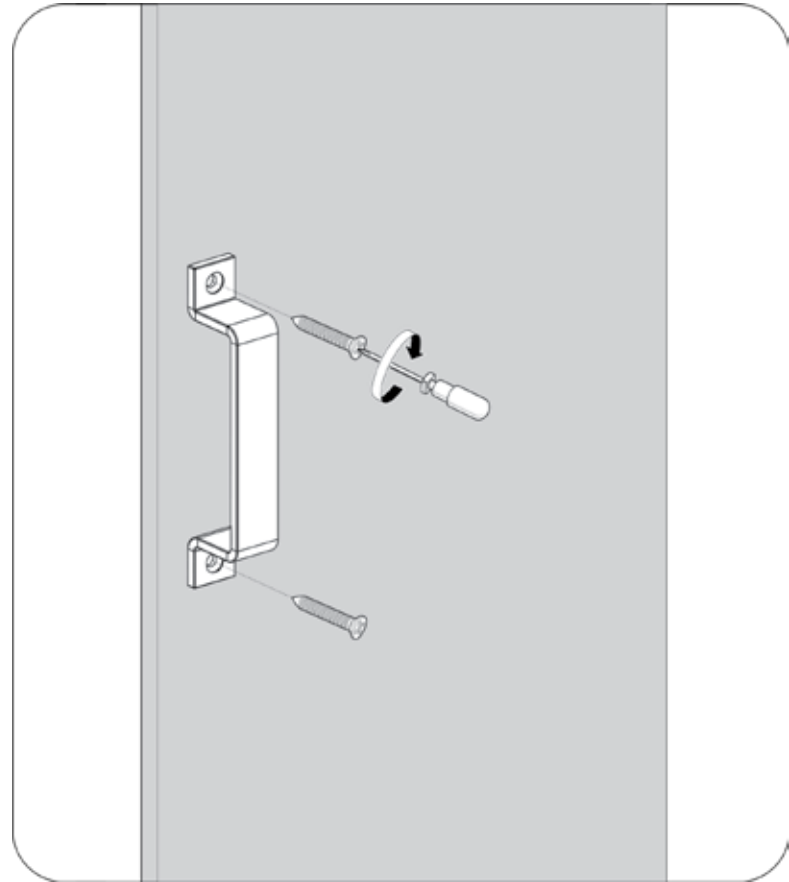
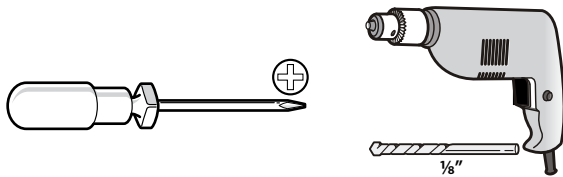


INCLUDES

Rustic Barn Door Pull	x1
ST5.5x32 Screw	x2

TOOLS REQUIRED



Recommended Installation: Mark screw hole locations on the door with a pencil. Drill 1/8" pilot holes to help prevent the wood from splitting (being careful to go through the door). Use a screwdriver to secure the pull to the door with the screws provided.