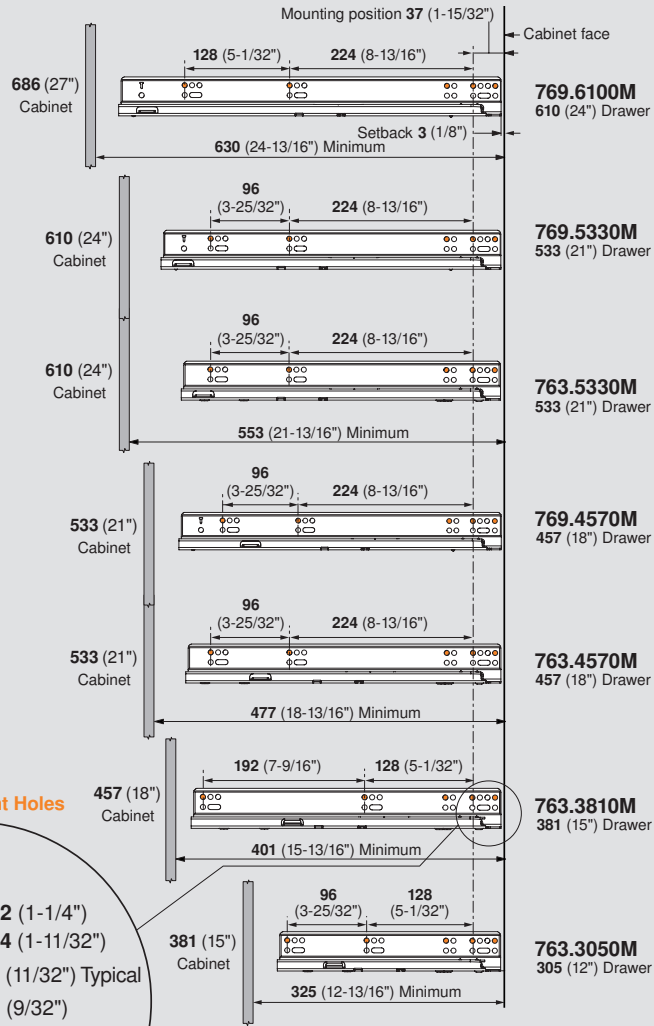


Runner mounting specifications

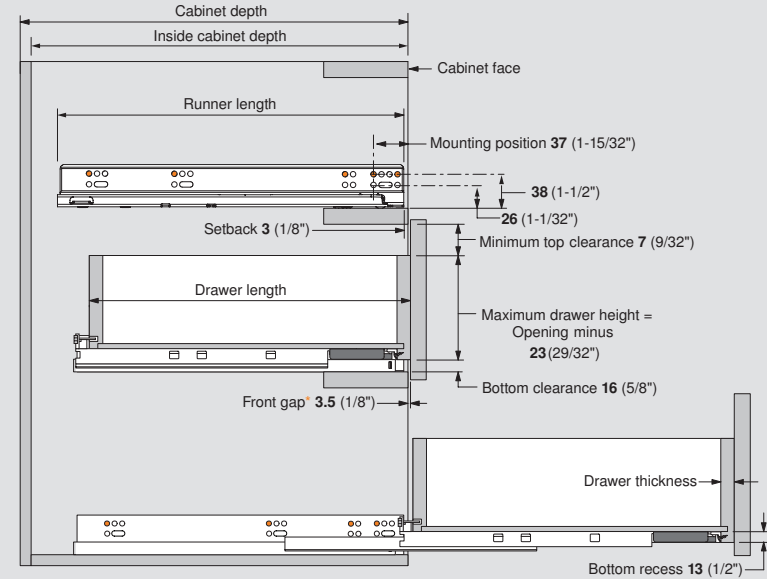
Side view



NOTE: Orange dots indicate screw locations required to meet specified load capacities

Cabinet and drawer specifications

Side view



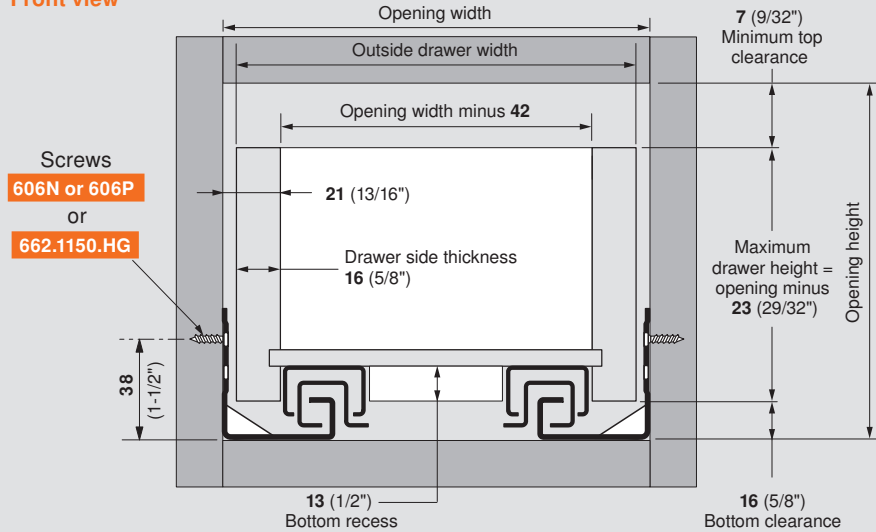
NOTE*: Front gap is 0 without TIP-ON BLUMOTION installed

MOVENTO	Cabinet depth	Inside cabinet depth	Drawer length	Drawer thickness	Runner length
		minimum			
769.6100M	686 (27")	630 (24-13/16")	610 (24")	16 (5/8")	621 (24-7/16")
769.5330M	610 (24")	553 (21-13/16")	533 (21")		544 (21-7/16")
763.5330M	610 (24")	553 (21-13/16")	533 (21")		544 (21-7/16")
769.4570M	533 (21")	477 (18-13/16")	457 (18")		468 (18-7/16")
763.4570M	533 (21")	477 (18-13/16")	457 (18")		468 (18-7/16")
763.3810M	457 (18")	401 (15-13/16")	381 (15")		392 (15-7/16")
763.3050M	381 (15")	325 (12-13/16")	305 (12")		316 (12-7/16")

T51.7601R	Locking device with side adjustment (right)
T51.7601L	Locking device with side adjustment (left)
606N or 606P	#6 Wood screw (for mounting runner to cabinet side and locking devices to drawer)
662.1150.HG	#6 System screw (for mounting runner to cabinet side)

Drawer box specifications

Front view



NOTE: Drawer side material thickness may vary. Accurate measurement of drawer side material thickness should be used when calculating outside drawer width using the table below. Inside drawer width **must** equal opening width minus 42 (1-21/32") for MOVENTO to align and function optimally.

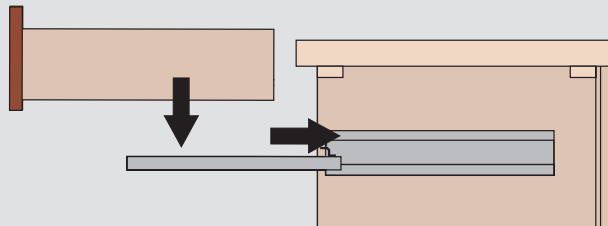
Calculating outside drawer width

For drawer side thickness	16 (5/8")
Deduct from opening width	10 (13/32")

Example: For 21" opening width and a 5/8" thick drawer, 21" minus 13/32" = 20-19/32" drawer width

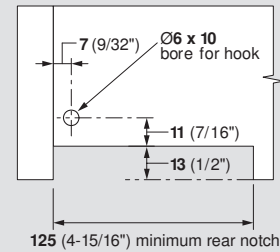
Drawer insertion

Extend the concealed runners fully. Place the drawer on the runners and close. The locking devices automatically engage with the runners. Make adjustments if necessary.



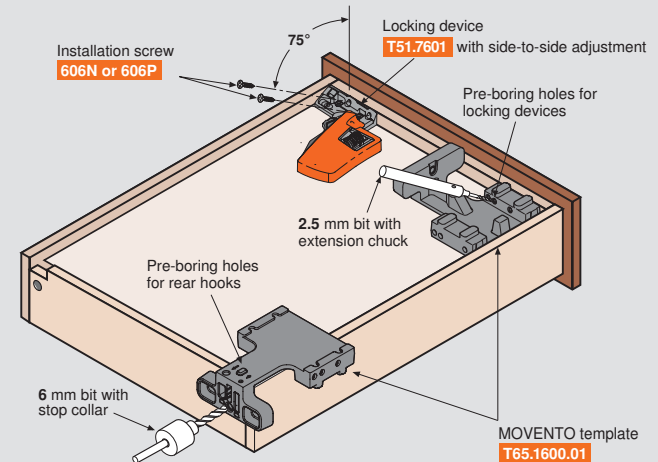
Drawer back preparation

Rear view



NOTE: Use of the T65.1600.01 MOVENTO template is essential for accurate location and angle of pre-bored locking device holes and accurate boring for rear hook holes

Preparing for hardware installation



Drawer removal

- 1 Squeeze orange handles on locking devices
- 2 Pull drawer straight out and up

