

# INSTALLATION GUIDE FOR SHAKER STYLE MOULDING KIT



Outwater's Trim Fast: Peel and Stick Shaker Kits are designed to make installing beautiful panel mouldings as easy as possible for DIYers, interior designers and contractors. These shaker style moulding kits are pre-cut and offer an adhesive backing, eliminating the need for miter boxes, saws, nails, and glue.

## BEFORE YOU BEGIN...

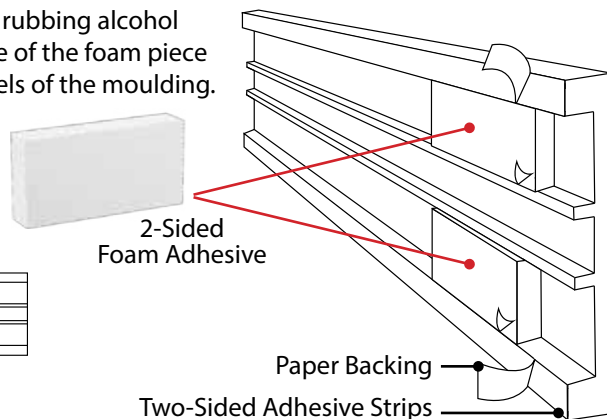
### CLEAN / PREP YOUR WALL

Surface must be dry before installation. For best results, install on freshly painted dry walls; or, wipe walls with rubbing alcohol prior to installation. Do not use household cleaners or water, as they leave slippery residue.

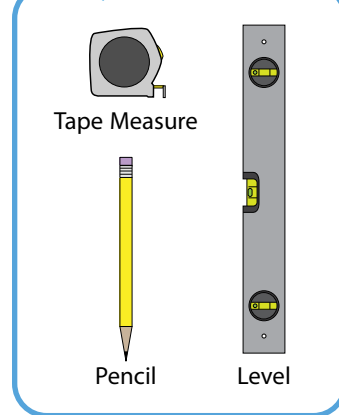
### ATTACH FOAM PIECES TO MOULDINGS FOR EXTRA ADHESION

Wipe the back of all the strips with rubbing alcohol prior to attaching. Peel off one side of the foam piece and fit snug inside the back channels of the moulding.

Space out the pieces across the length of the mouldings.

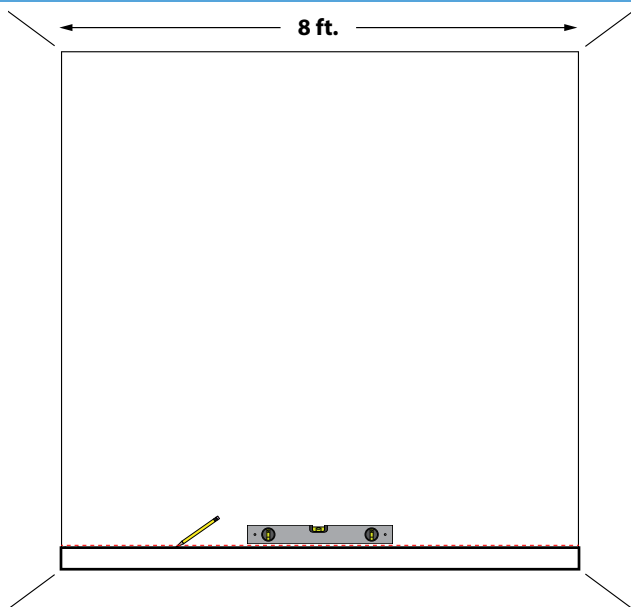


### REQUIRED TOOLS



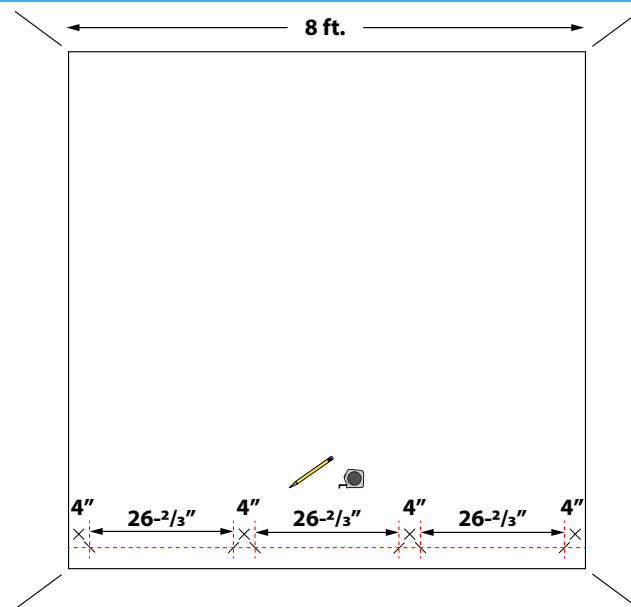
### INSTALLATION:

#### STEP 1:



Use a level and the 8 ft. strip as a guide, (DO NOT REMOVE THE BACKING PAPER FROM THE ADHESIVE), place the strip against the bottom of the wall and stack the level on top of the strip. Level strip position and mark a line on the wall along the strip with a pencil. Set the strip aside.

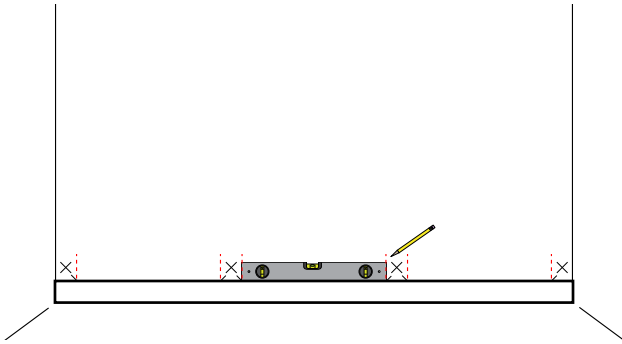
#### STEP 2:



From the left end, measure and mark at 4" and then at 30-2/3" and 34-2/3". Repeat from the right end, measure and mark at 4" and then at 30-2/3" and 34-2/3".  
**For addition tiers, mark the lines higher up the wall.**

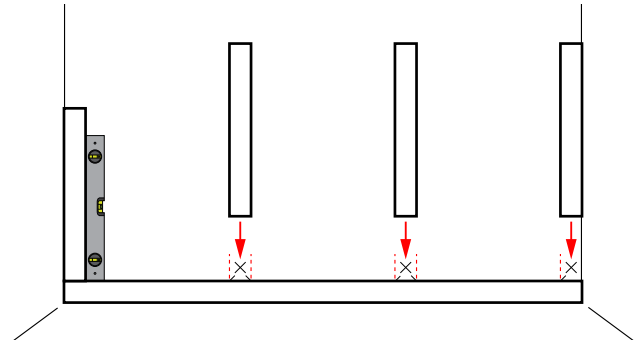
## INSTALLATION continued

### STEP 3:



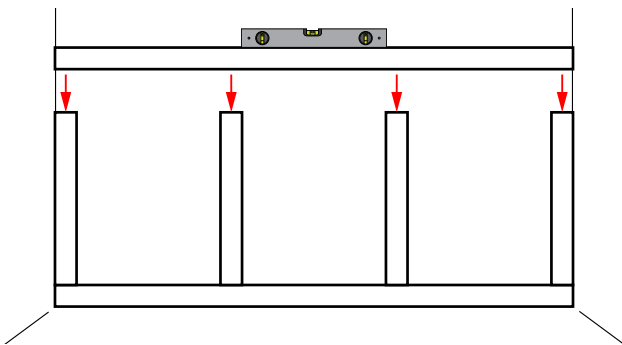
Remove all the backing paper from the 8 ft. strip and use the line on the wall as a guide; lightly adhere the strip to the wall. Use the level to confirm the strip is completely straight and adjust as necessary. Once level, apply pressure to adhere the strip to the wall.

### STEP 4:



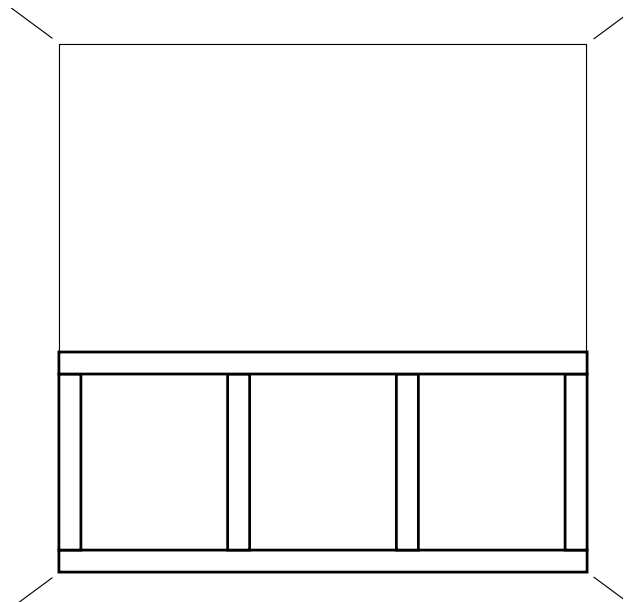
Stack the vertical strips on top of the bottom strip. Remove all the backing paper from the strip and use the line on the wall as a guide; lightly adhere the strip to the wall. Use the level to confirm the strip is completely straight and adjust as necessary. Once level, apply pressure to adhere the strip to the wall. Repeat for the other three strips.

### STEP 5:



Stack the next 8 ft. strip on top of the vertical strips. Remove all the backing paper from the strip and lightly adhere the strip to the wall. Use the level to confirm the strip is completely straight and adjust as necessary. Once level, apply pressure to adhere the strip to the wall.

### FINISH



*For addition tiers, repeat steps 2, 4, 5.*

**NOTE: Shaker Style Mouldings are designed to be mounted flush against the wall without gaps, some walls may be uneven and cause gaps to appear. If this happens, caulk can be used to fill the gap.**

**Shaker Style Mouldings are also ready to paint.**